

Philips Multimedia projector cBright I Series



User guide English

0. Controls and connections

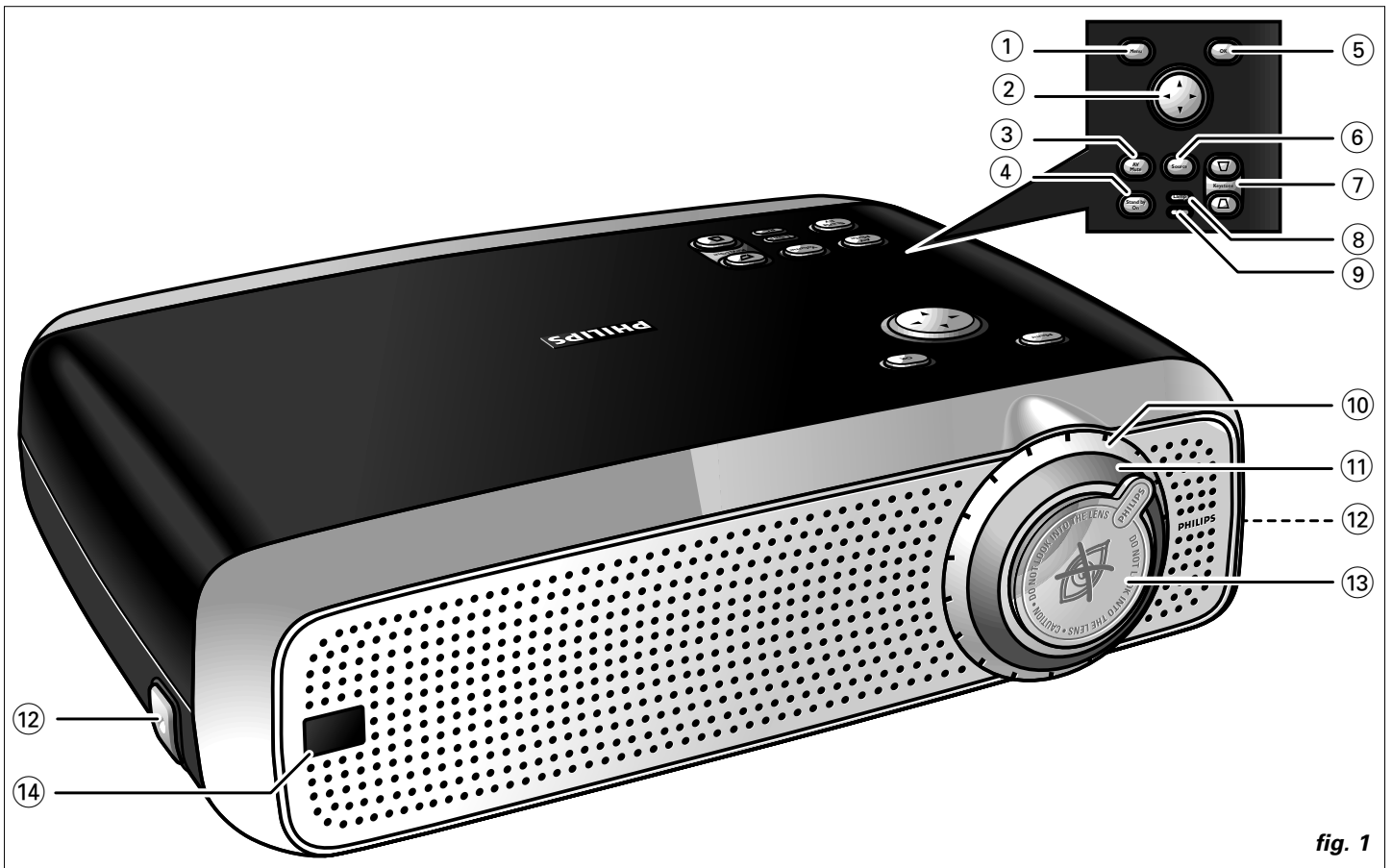


fig. 1

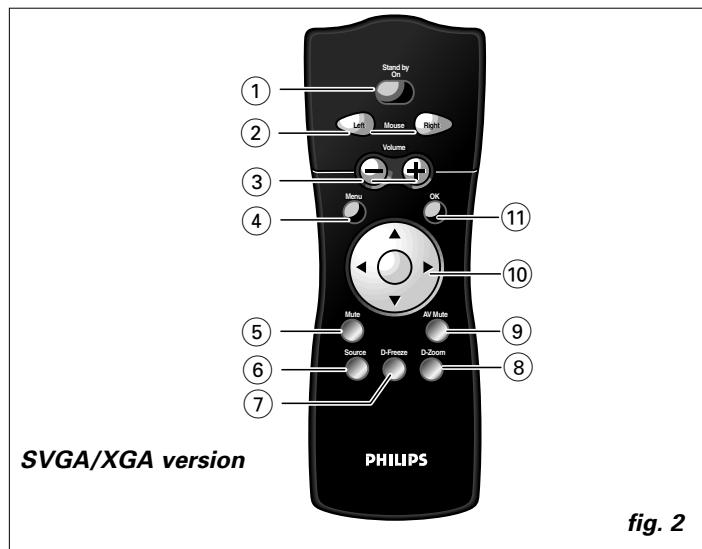


fig. 2



fig. 3

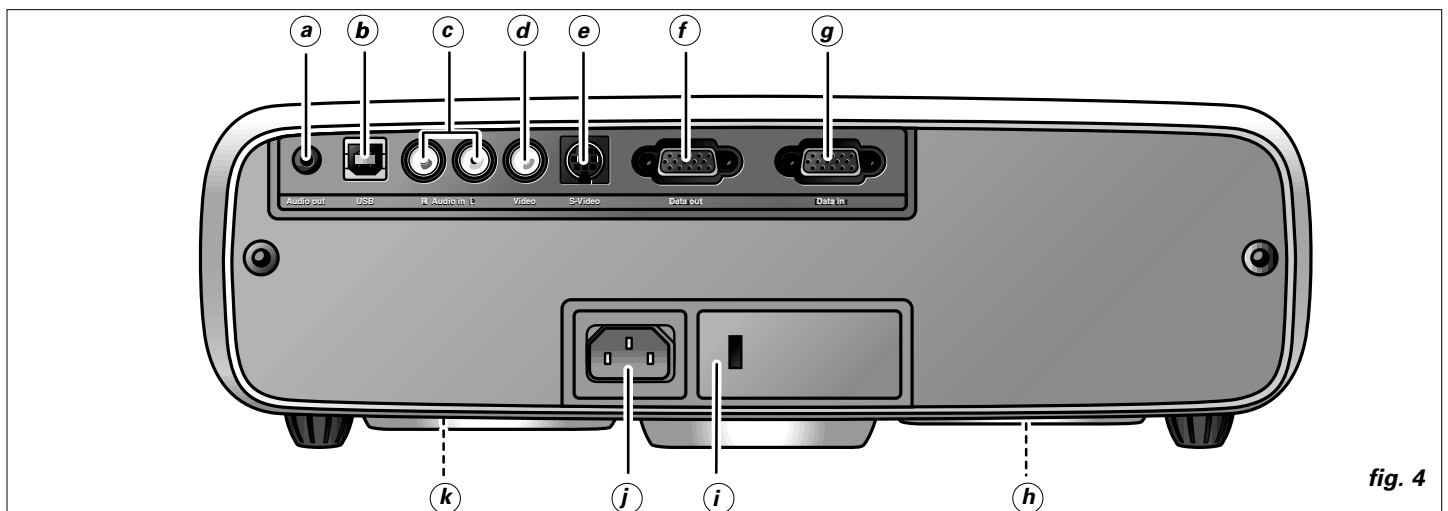


fig. 4

1. Introduction

2. Things You Should Know

Table of contents

0. Controls and connections	2
1. Introduction	3
Table of contents	3
Introduction	3
Packaging contents	3
2. Things You Should Know	3
3. Important Safeguards	4
4. Projector Features	5
5. Functional Overview	6-7
Controls	6
Connections.....	7
6. Set Up	8-9
Positioning the projector and screen.....	8
Mains supply	8
Adjusting the focus and size of the image.....	8
Adjusting the vertical and horizontal angle of the projector....	8
Moving the projector	9
Inserting the batteries in the compact remote control	9
Inserting the batteries in the trackball remote control	9
7. Installation	10-14
Video/computer cables and adapter	10
Connecting to a computer.....	11
Connecting to video equipment	12
Connecting to audio equipment	13
Connecting to an external monitor.....	14
8. Operation	15-19
Preparation	15-16
Display and Picture control.....	16-18
Audio control	18
Other settings.....	19
9. Maintenance	20-22
Cleaning	20
Cleaning the dustfilter	20
Maintenance of the trackball remote control	20
Lamp.....	21
Lamp replacement.....	21
Resetting the lamplife time	22
10. Troubleshooting	23

Introduction

Congratulations on your purchase of one of the most sophisticated and reliable products on the market today. We are sure that, used properly, it will bring you years of enjoyment. You will want to keep this manual handy, as it is a convenient source of information about your projector. For your own protection and prolonged operation of your projector, please read the 'Important Safeguards' section before use.

Packaging contents

Please confirm that the following items are packed in the projector box. They are provided to help you use or set up your projector.

- Projector
- Mains lead
- Audio/Video RCA Cable
- Scart/RCA Audio Video adapter (not for USA version)
- Remote control + batteries
- Soft bag
- Integrated VGA/USB cable
- User Guide, Projection Assistant and more on CD-ROM
- Quick set up Card

Note: This equipment has been tested to comply with the limits for a class A digital device in accordance with Part 15 of the FCC Rules as well as the European CE marking.

Operation is subject to the following two conditions:

1. This device may not cause harmful interference, and
2. This device must accept any interference received, including interference that may cause undesired operation.

These limits are designed to provide reasonable protection against harmful interference when the equipment is operated in a commercial environment.

This equipment generates, uses, and can radiate radio frequency energy and, if not installed and used in accordance with the user's guide, may cause harmful interference to radio communications.

Operation of this equipment in a residential area is likely to cause harmful interference in which case the user will be required to correct the interference at his own expense.

If this equipment does cause harmful interference to radio or television reception, which can be determined by turning the equipment off and on, the user is encouraged to try to correct the interference by one or more of the following measures:

- Reorientate or relocate the receiving antenna.
- Increase the distance between the equipment and receiver.
- Connect the equipment into an outlet on a circuit different from that to which the receiver is connected.
- Consult the dealer or an experienced radio/TV technician for help.

FCC Warning:

To assure continued compliance, use only the provided grounded power supply cord and shielded interface cables when connecting this device to a computer. Also, any unauthorized changes or modifications to this equipment could void the user's authority to operate this device.

Note: Save energy! Please put the projector in the STANDBY position if you are not going to use the projector for more than 15 minutes.

Important note for users in the U.S.A.

The responsible party of this multi media projector is the following:

Philips Consumer Electronics Company
One Philips Drive
Knoxville, TN 37914
Telephone (1888) 873-4672

3. Important Safeguards



CAUTION: Please read all of these instructions before you operate your projector.

Save these instructions for future reference.

Electrical energy can perform many useful functions.

This projector has been engineered and manufactured to meet applicable safety standards. IMPROPER USE CAN RESULT IN POTENTIAL ELECTRICAL SHOCK OR FIRE HAZARDS. In order not to defeat the safeguards incorporated into this projector, observe the following basic rules for its installation, use and servicing.

1. Unplug the projector from the wall outlet before cleaning or lamp replacement.
2. Do not use liquid cleaners or aerosol cleaners. Use a soft dry cloth to clean the projector unit. If the unit is very dirty, wet a cloth with neutral detergent, squeeze it tight, wipe the unit with it, and finish by wiping with a dry cloth. Do not use a chemical duster or polisher-cleaner because it can adversely affect the unit and peel the paint.
3. Do not use attachments not recommended by PHILIPS, as they may cause hazards.
4. Do not use the projector near water- for example, near a bathtub, washbowl, kitchen sink, or laundry tub, in a wet basement, near a swimming pool, etc. Never spill liquid into the projector.
5. Do not place the projector on an unstable cart, stand, or table. The projector may fall, which may cause serious injury to a child or an adult and/or serious damage to the unit. Use only with a cart or stand recommended by its manufacturer as being suitable for use with a projector.
6. Ceiling, wall or shelf mounting should be done with a mounting kit approved by the manufacturer for use with a projector and should follow the manufacturer's instructions.
7. Projector equipment and cart combinations should be moved with care. Quick stops, excessive force, and uneven surfaces may cause the equipment and cart combination to overturn.
8. Slots and openings of the cabinet are provided for ventilation. To ensure reliable operation of the projector and to protect it from overheating, these openings must not be blocked or covered. These openings should never be covered with cloth or other material. The bottom opening should not be blocked by placing the projector on a bed, sofa, rug, or other similar surface. The projector should not be placed near or over a radiator or heating vent. The projector should not be placed in a built-in installation such as a bookcase unless proper ventilation is provided.
9. The projector should be operated only from the type of power source indicated on the side of the projector or in the specifications and with the appropriate mains lead. If you are not sure of the type of power supplied to your business or the right type of mains lead, consult your projector dealer or local power company.
10. Do not allow anything to rest on the power cord. Do not place the projector where the cord will be walked on.
11. Follow all warnings and instructions marked on the projector.
12. As a safety feature, this projector is equipped with mains lead with a 3-pin grounded plug (for USA-versions only) or a 2-pin grounded plug (for European versions only). The 3-pin/2-pin grounded plug will fit only into a grounding type power outlet. If the plug does not fit, use an adapter that is properly grounded or have an electrician install a grounded type outlet. Do not attempt to modify this AC plug.
13. For added protection of the projector during a lightning storm, or when it is left unattended or not in use for long periods of time, unplug it from the wall outlet and disconnect any cable systems. This will prevent damage to the projector due to lightning and power-line surges.
14. Do not overload wall outlets and extension cords with too many products, because this can cause a fire or electric shock.
15. Never push objects of any kind into the projector through cabinet slots as they may touch dangerous voltage points or short cut parts, which could result in a fire or electric shock.
16. Do not attempt to service the projector yourself other than maintenance issues presented in chapter 'Maintenance'. Opening or removing covers may expose you to dangerous voltage or other hazards. Refer all servicing to qualified service personnel.
17. Unplug the projector from the wall outlet and refer servicing to qualified service personnel under the following conditions:
 - A. When the power cord or plug is damaged or frayed.
 - B. If liquid has been spilled into the projector.
 - C. If the projector has been exposed to rain or water.
 - D. If the projector does not operate normally when you follow the operating instructions. Adjust only those controls that are covered by the operating instructions; improper adjustment of other controls may cause damage and will often require extensive work by a qualified technician to restore the projector to normal operation.
 - E. If the projector has been dropped or the cabinet has been damaged.
 - F. When the projector exhibits a distinct change in performance – (this indicates a need for service).
18. Upon completion of any service or repairs to the projector, ask the service technician to perform a routine safety check to check that the projector is in safe operating condition.
19. When replacement parts are required, be sure the service technician has used replacement parts specified by the manufacturer that have the same characteristics as the original parts. Unauthorized substitutions may result in fire, electric shock, or other hazards.
20. It is recommended to clean the air filter after every 100 lamp hours. The projector may become too hot if the filter is not cleaned when required.
21. If the lens becomes dirty or smudged, clean it with a clean, dampened cloth. Never touch the lens with your fingers.
22. Do not look directly into the aperture and lens while operating the projector as this may damage your eyes.
23. Please allow cool down of the projector for a few minutes before switching off the mains power.
24. Please dispose of batteries and lamp in special chemical disposal bins.

4. Projector Features

1. Keystone Correction

A keystone image (picture top width larger than picture bottom width or vice versa) appears when the relative positions of the projector and the screen are not correct. With the 'keystone correction' feature you can correct this picture distortion. Digital keystone correction is directly accessible via the keyboard on the projector or via the 'Display' submenu of the On Screen Display menu.

2. Auto Image

The 'Auto Image' feature automatically sizes and positions the image, to optimally fit the screen picture. It is applicable for data input only and accessible in the 'Display' submenu of the On Screen Display menu. Manual settings of Horizontal Size, Shift and Phase remain possible by switching Auto Image off. The projector is fully PC and MAC compatible.

3. USB

The USB (Universal Serial Bus) connector allows you to connect to computers equipped with a USB interface, resulting in real hot plug and play presentation. By connecting USB, the mouse function on the Remote Control automatically gets installed.

4. Digital features

The digital features of the projector are of great value for an attractive presentation. With 'digital zoom' a specific part of the projected image can be enlarged. The 'digital freeze' feature enables you to capture moving pictures (still picture).

5. Very easy to install and operate

The **OSD** (On Screen Display) information screens and menus in 6 languages provide you with additional information to help you make the right choices about installation and operation, and to perform the correct actions.

The standard OSD language is English. In addition you can select French, Spanish, German, Italian and Portuguese.

The sensor of the wireless remote control allows you to operate both your computer as well as your projector from almost anywhere in the room. The **directional shuttle** on the projector and on the **compact remote control** function as **Cursor Control** and are used to manipulate the mouse cursor on the connected computer, as long as the menu is not active. On the **trackball remote control** (standard with XGA-Impact models and available as accessory for the other models) the **trackball** is used to manipulate the mouse cursor. When the menu is active, the Cursor Control controls the menu cursor.

The local keyboard provides direct access buttons for those functions that are most often used during set-up of the projector. The remote control provides buttons for those functions that are most often used during presentations. For a complete overview of keyboard and remote control buttons, see the Functional Overview in the next paragraph.

6. External monitor connection

A separate external monitor (or a second projector) can be connected to the projector. The image projected is simultaneously shown on the monitor.

7. High reliability and excellent brightness

The Philips UHP lamp guarantees long life, excellent brightness over the lamp's lifetime and excellent colour reproduction.

Furthermore, the projector has an excellent brightness- and colour uniformity over the entire picture.

8. Excellent video quality

The projector accepts the input signal of all major video formats, including PAL, SECAM, NTSC and S-Video signals. The projector will recognize these standards and adapt to them automatically. With the 'picture format' feature you can select one of three picture format options 4:3, 16:9 or 16:9 enlarged.

9. Stereo Audio Output

Line output for connecting external audio equipment via standard 3.5 mm stereo jack.

10. Adjustable Screen Capability

The diagonal picture size of the display can be set from 21" (0.53 m) to 262" (6.6 m).

11. Ceiling Mount and Rear Screen projection

The projector is equipped with a full mirror scan conversion function ('vertical/horizontal mirror'), which allows the image to be reversed for ceiling mount as well as for rear projection applications.

Controls

On projector (fig. 1)

- ① **Menu**
To activate and deactivate the menu.
- ② **Cursor Control**
To manipulate the mouse cursor on the connected computer as long as the menu is not active. When the menu is active the Cursor Control controls the menu cursor. The cursor control works with up/down and left/right button operation.

Notes:
– The Cursor Control can only function as a mouse cursor when the USB socket of the projector is connected to the USB downstream terminal of the computer.
– When the Digital Zoom is active, the Cursor Control gives direct access to the Panning function to select the enlarged area.
- ③ **A(udio)/V(ideo) Mute**
To mute the sound of the projector (or an externally connected sound amplifier) and to mute the picture.
- ④ **Standby On**
To switch the projector in or out of the power standby mode. When the projector is in standby mode, the ring around the button lights up red. When the projector is operating, the ring is white.
- ⑤ **OK**
To confirm actions in the menu when the menu is on screen.
- ⑥ **Source**
To select the current projection source (Data, S-Video or Video). The button toggles between the three signals.
- ⑦ **▾ Keystone ▾**
To correct picture distortion of the vertical keystone type by digital scaling.
- ⑧ **Lamp indicator**
– Slowly flashes green when the lamp is starting up
– Lights up green when the lamp is on
– Slowly flashes orange when the lamp is starting up and lamp life expires within the next 100 hours or has expired
– Lights up orange when the lamp is on and lamp life expires within the next 100 hours or has expired
– Lights up red when the lamp start has failed
- ⑨ **R(emote) C(ontrol) indicator**
Flashes green when the remote control is operated and the projector responds.
- ⑩ **Zoomring**
To adjust the size of the projected image.
- ⑪ **Focus ring**
To adjust the focus of the projected image.
- ⑫ **Height/Level adjusters**
To adjust the vertical and/or horizontal angle of the projector.
- ⑬ **Lens cap**
To protect the lens when the projector is not in use.
- ⑭ **IR sensor**
To receive the signals from the remote control.

On compact remote control (SVGA/XGA version) - (fig. 2)

- ① **Stand by On**
To switch the projector in or out the the power standby mode.
- ② **Mouse Left/Right**
Function as the Left and Right mouse buttons of your PC.
- ③ **– Volume +**
To adjust the volume.
- ④ **Menu**
To activate and de-activating the menu.
- ⑤ **Mute**
To mute the sound of the projector (or an externally connected sound amplifier).
- ⑥ **Source**
To select the current projection source (Data, S-Video or Video). The button toggles between the three signals.
- ⑦ **D(igital)-Freeze**
To capture a moving picture. The button toggles between the Freeze mode and the display situation.
- ⑧ **D(igital)-Zoom**
To switch the Digital Zoom function 'On' or 'Off' (toggle button). In 'On' condition, the image is magnified with the zoom factor chosen under Magnification in the menu and the Cursor Control can be used to select the enlarged area (Panning).
- ⑨ **A(udio)/V(ideo) Mute**
To mute the sound of the projector (or an externally connected sound amplifier) and to mute the picture.
- ⑩ **Cursor Control**
To manipulate the mouse cursor on the connected computer as long as the menu is not active. When the menu is active the Cursor Control controls the menu cursor. The cursor control works with up/down and left/right button operation.

Notes:
– The Cursor Control can only function as a mouse cursor when the USB socket of the projector is connected to the USB downstream terminal of the computer.
– When the Digital Zoom is active, the Cursor Control gives direct access to the Panning function to select the enlarged area.
- ⑪ **OK**
To confirm actions in the menu when the menu is on screen.

On trackball remote control (XGA Impact version) - (fig. 3)

- ① **On/off button**
To switch the remote control on and off.
Note: The remote control will always use some power, even when not in use. Therefore it is advised to always switch off the remote control after use.
- ② **Cursor Control**
To manipulate the mouse cursor on the connected computer as long as the menu is not active. When the menu is active the Cursor Control controls the menu cursor.

Notes:
– The Cursor Control can only function as a mouse cursor when the USB socket of the projector is connected to the USB downstream terminal of the computer.
– When the Digital Zoom is active, the Cursor Control gives direct access to the Panning function to select the enlarged area.
- ③ **OK**
To confirm actions in the menu when the menu is on screen. When the menu is not on screen the – / – – buttons function as the Left and Right mouse buttons of your PC.
- ④ **Menu**
To activate and deactivate the menu.
- ⑤ **Stand by On**
To switch the projector in or out the the power standby mode.
- ⑥ **– Volume +**
To adjust the volume.
- ⑦ **Source**
To select the current projection source (Data, S-Video or Video). The button toggles between the three signals.
- ⑧ **D(igital)-Freeze**
To capture a moving picture. The button toggles between the 'Freeze' mode and the normal display situation.
- ⑨ **D(igital)-Zoom**
To switch the Digital Zoom function 'On' or 'Off' (toggle button). In 'On' condition, the image is magnified with the zoom factor chosen under Magnification in the menu and the Cursor Control can be used to select the enlarged area (Panning).
- ⑩ **A(udio)/V(ideo) Mute**
To mute the sound of the projector (or an externally connected sound amplifier) and to mute the picture.
- ⑪ **Back-light button**
To switch on the button illumination.
The back-light will automatically switch off after 5 seconds.

Connections

Data source connections (fig. 4)

- a **Audio out**
Output socket to connect to the Line Input sockets of an amplifier or stereo system.
- b **USB-(upstream)**
Input socket to connect a PC or Apple Macintosh computer equipped with a USB downlink connection.
- g **Data in**
Input socket to connect to the Data out terminal of a computer.

Video source connections

- a **Audio out**
Output socket to connect to the Line Input sockets of an amplifier or stereo system.
- c **Audio in L/R**
Input sockets to connect to the Audio out sockets of a video recorder (S-VHS, PAL, NTSC, SECAM).
- d **Video**
Input socket to connect to the Video out socket of a video recorder, Laser Disc player, video camera or TV with AV output socket (PAL, NTSC, SECAM).
- e **S-Video**
Input socket to connect to the S-Video out socket of a S-VHS video recorder, a VCR, Laser Disc player, video camera or TV with AV output socket.

Other connections

- f **Data out**
To connect to an external monitor (or a second projector). The image projected is simultaneously shown on the monitor.
- h **Lamp compartment**
- i **Lock slit**
To insert an optional locking device (Kensington lock).
- j **Power**
To connect the projector to the mains.
- k **Dust filter**

6. Set Up

Positioning the projector and screen

- Place the projector on a stable, level surface, out of direct sunlight and away from sources of excessive dust, dirt, heat, water, moisture, vibration and strong magnetic fields. Face the projector towards the screen for the best picture results. To determine the distance for the desired size, please refer to the Projection Assistant, a calculation programme included on the CD-ROM.
- The screen should be positioned so that it is not directly touched by sunlight or artificial light, as this will wash out the colours of the picture, making it hard to see.
- The projector can be used for both front projection, rear projection and ceiling projection applications. As default factory setting, the projector has been set up for front projection. You can change to rear or ceiling projection via the OSD menu. See 'Rear screen projection' and 'Ceiling-mount projection' under 'Operation - Display and picture control' for further instructions.
- Choose a screen size suitable for the number of viewers and the size of the room.
- Picture quality is best when you sit directly in front of the projector screen.

Mains supply

1. Insert the mains lead into the projector's Power socket and connect it to the wall socket.

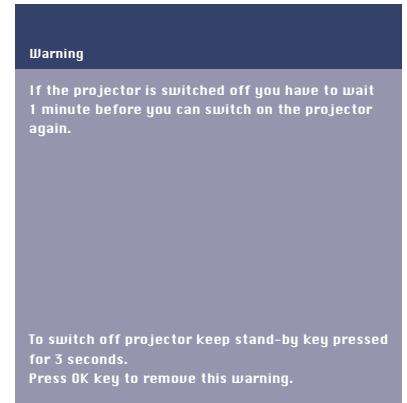
Note: The standby indicator lights up red, the projector is now in the Power/Standby mode.



2. Remove the lens cap.
3. Press the Stand by On button to switch on the projector.
 - The lamp indicator flashes green.
 - When the projection lamp is on, the lamp indicator lights up green while the lamp is starting up and the start-up screen appears for several seconds.
4. Press the Stand by On button again to switch the projector back into the power standby mode.



- The Standby Warning screen will appear for 20 seconds.



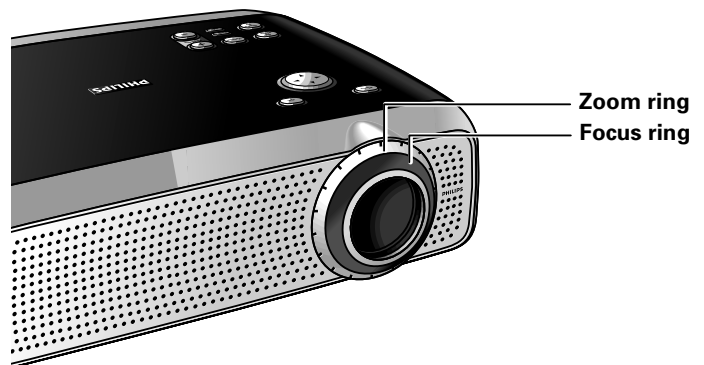
Note: The Stand by Warning screen can be removed by keeping the Stand by On button pressed for 3 seconds. If the Stand by On button is pressed for 3 seconds the first time (step 3), the projector is switched back into the power standby mode without the Standby Warning screen being displayed.

5. To switch off the mains supply completely, pull the mains plug out of the wall socket.

Note: Before disconnecting the mains lead, make sure that the cooling fan has stopped (about 3 minutes after the projector has been switched to Power Standby).

Adjusting the focus and size of the image

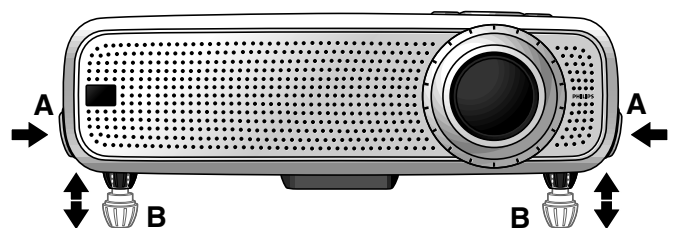
- Use the Zoom ring to adjust the size of the image.
- Use the Focus ring to adjust the focus of the image.



Adjusting the vertical and horizontal angle of the projector

Vertical angle

- Use the Height/Level Adjusters to adjust the vertical angle of the projector as specified under 'Positioning the projector and screen'.



To Raise:

- Keep both adjusters (A) pressed and lift to raise the projector.
 - The projector feet (B) will come out.

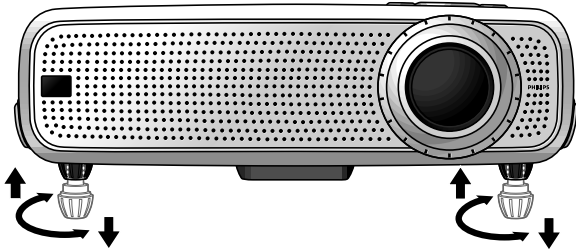
6. Set Up

To Lower:

- Keep both adjusters (A) pressed and gently lower the projector.
- Use the Focus Ring and Zoom Ring to readjust the focus and size of the image.

Horizontal angle (horizon)

- Adjust or correct a possible tilted picture by turning the projector feet to the desired position.



Up: turn the feet to the left.

Down: turn the feet to the right.

- Use the Focus Ring and Zoom Ring to readjust the focus and size of the image.

Keystone correction

If projector and screen are not properly placed, the picture will be distorted, producing a keystone image.

Keystone correction allows you to correct picture distortion of the vertical keystone type by internal scaling.



Keystoned Image

- Use the Keystone ∇ button to widen the image.
- Use the ∇ Keystone button to narrow the image.
- This correction function also is accessible through the 'Keystone Correction' option in the 'Display' submenu of the On Screen Display (OSD) menu. For details see the explanation in 'Display and Picture Control'.

Moving the projector

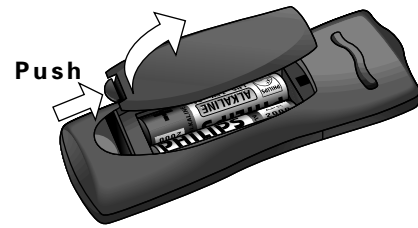
1. Press the Stand by On button to put the projector in stand by. The standby indicator lights up red.
2. Wait until the cooling fan has stopped (about 3 minutes after the projector has been switched off) and disconnect the mains lead and all other cables.
3. Make sure the lens is turned back in to prevent damage to the lens.
4. Put the lens cap back in place to prevent dust, dirt or other contamination from harming or damaging the front of the projector lens when moving the projector.



Note: Never place the projector on the side where the connections are located.

Inserting the batteries in the compact remote control

(SVGA/XGA version)

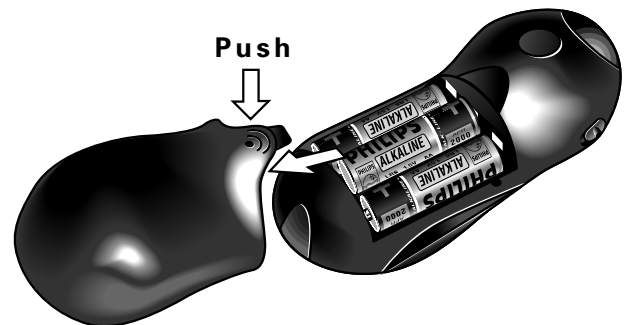


1. Push and slide the lid in the direction of the arrow.
2. Install two 'AAA' batteries as indicated inside the battery compartment.
3. Replace the lid and snap it into place.

Note: The maximum range of the remote control is approximately 15 m (\pm 50 feet).

Inserting the batteries in the trackball remote control

(XGA Impact version)



1. Push and slide the lid in the direction of the arrow.
2. Install three 'AA' batteries as indicated inside the battery compartment.
3. Replace the lid and snap it into place.

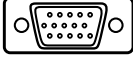


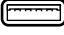
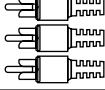
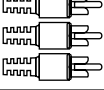


Caution!

Do not mix old and new batteries (also never mix alkaline and manganese batteries).

Note: The maximum range of the remote control is approximately 20 m (\pm 65 feet).

7. Installation

Video/computer cables and adapter

No.	CABLE/ADAPTER	CONNECTIONS			
		Projector side		Computer/AV products side	
1	Integrated VGA/USB Cable	Mini D-Sub 15P (male)			Mini D-Sub 15P (male)
		USB connector 4P (female)			USB connector 4P (female)
2	RCA Audio Video Cable	RCA pin (male) x 3			RCA pin (male) x 3
3	Scart/RCA-AV Adapter (depending on region)				

Video/computer cables and adapter

These accessories (1 to 3) are supplied with the product for connecting the projector to computer/AV equipment. The numbers in the left-hand column correspond with the numbers in the connection diagrams on the following pages.

When connecting the projector to a Macintosh computer, a programmable VGA/MAC adapter is available as an optional Philips cable accessory.

7. Installation

Connecting to a computer

Connecting to a computer

Caution!

- The data input is suitable for both Apple Macintosh computers (Power Book and Power Mac) as well as for IBM compatible PCs.
- The data output of IBM compatible PCs can be connected directly to the projector using standard data cables.
- Apple Macintosh computers may need a conversion plug (optional) added to the standard data cable.
- The figures in brackets **(1)** correspond to the figures in the accessories diagram.
The characters in brackets **(a)** correspond to the characters in **fig. 4** of 'Controls and connections'.

USB connection

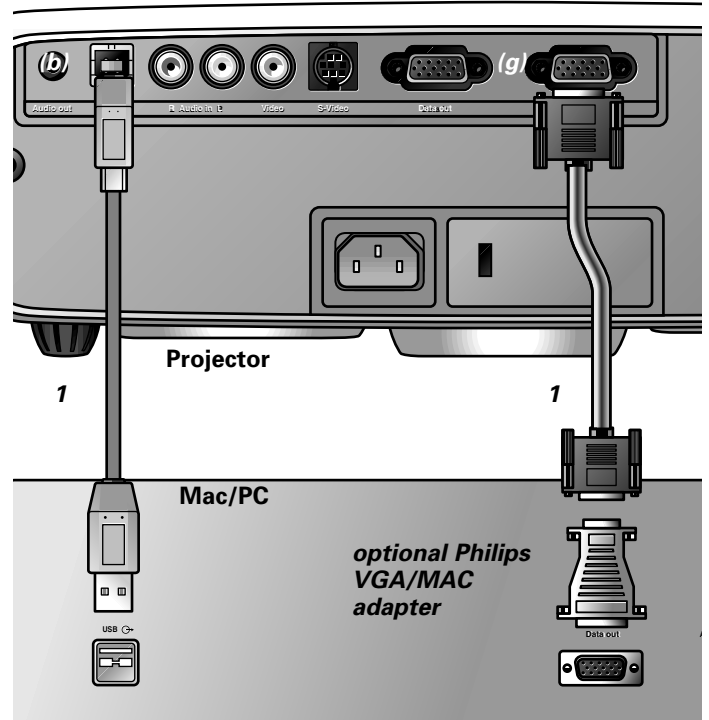
A USB interface is available via an upstream connector.

When the projector's **USB (upstream) connector** is connected to a PC or an Apple Macintosh computer equipped with a USB downlink connection, it will identify as a USB device.

It is possible to:

- control the cursor of the computer via the projector remote control,
- play audio information from the computer via the projector speaker, and
- the display settings of the computer will be changed to fit the capability of the projector.

PC (Desk Top/Lap Top)/ MACINTOSH (Desk Top/Power Book/Power Mac)



1. Connect the Data out terminal of the computer to the Data in terminal **(g)** of the projector and secure the plugs by tightening the thumb screws.
For this, use the VGA/USB cable **(1)** supplied.
When connecting the projector to a Macintosh computer use the VGA/MAC adaptor *(optional)*.
2. Connect the USB (upstream) socket **(b)** of the projector to the USB downstream port of the computer.
For this, use the VGA/USB cable **(1)** supplied.
 - You can now manipulate the mouse cursor on the computer and on the screen, using Cursor Control. Audio information from the computer will be played via the projector speaker.

Note: If the mouse cursor does not react when moving the **cursor control** on the remote control:

3. Check that the Remote Control indicator on the projector flashes green when you move the trackball.
 - **If it does not:** Check that you have switched on the remote control. If you have, check that the batteries are installed properly and/or replace the batteries.
 - **If it does:** Make sure that the USB cable has been properly connected.

7. Installation

Connecting to video equipment

Connecting to video equipment

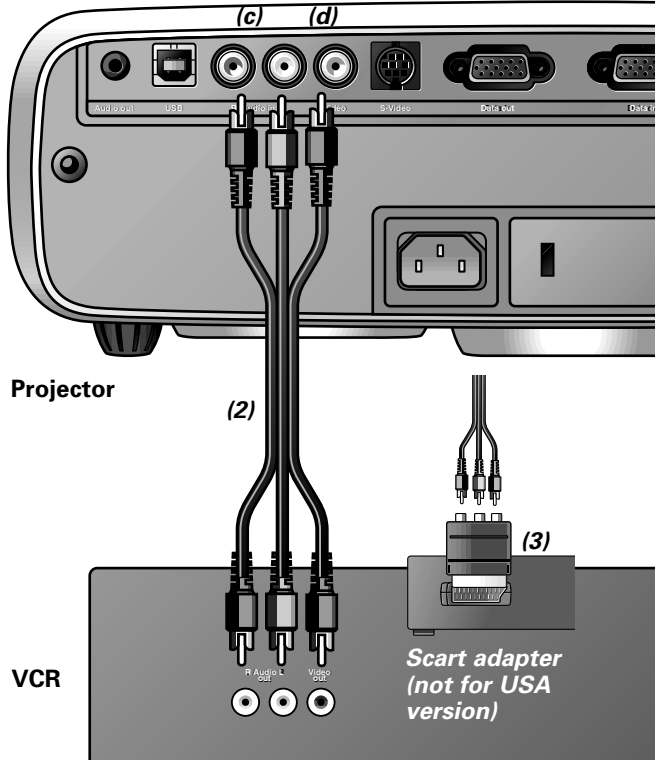
Note: The figures in brackets **(1)** correspond to the figures in the accessories diagram.

The characters in brackets **(a)** correspond to the characters in **fig. 4** of 'Controls and connections'.

Caution!

Always switch off the projector before making any connections.

PAL, NTSC, SECAM

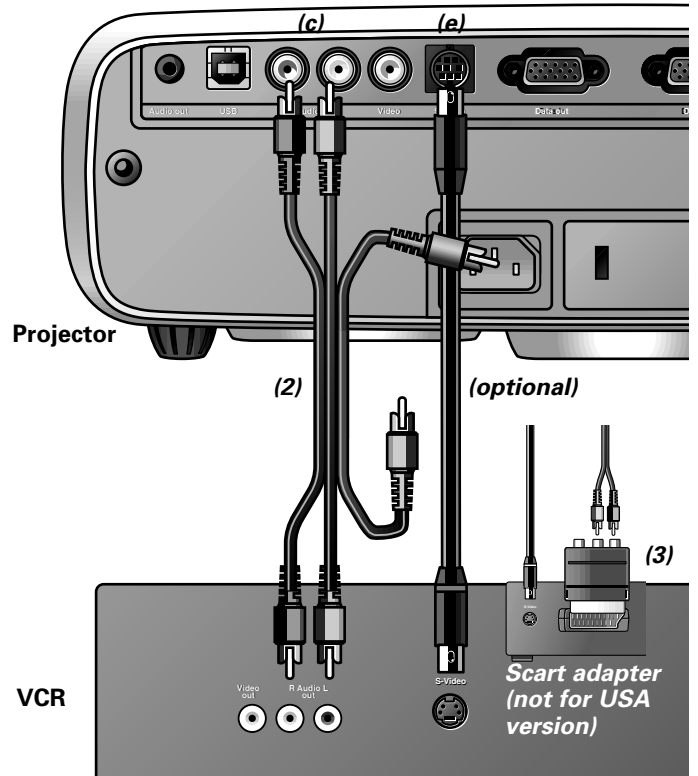


1. Connect the Video out socket of a VCR, Laser Disc player, video camera or TV to the Video socket **(d)** of the projector. For this, use the video/audio connection cable **(2)** supplied.
2. Connect the Audio OUT L/R sockets of the VCR, Laser Disc player, video camera or TV to the Audio in L/R sockets **(c)** of the projector. For this, use video/audio connection cable **(2)** supplied. Insert the white plug into the L socket and the red plug into the R socket.

In case your VCR, Laser Disc player, video camera or TV is equipped with a Scart connector (depending on region):

1. Connect the Scart/RCA Audio Video adapter **(3)** supplied to the Scart connector of the VCR, Laser Disc player, video camera or TV.
2. Plug the video/audio connection cable **(2)** supplied into both the adapter and the Video **(d)** and Audio in L/R sockets **(c)** of the projector.

S-VHS



1. Connect the S-Video out socket of a S-VHS video recorder, Laser Disc player, video camera or TV to the S-Video socket **(e)** of the projector. For this use an *(optional)* S-vVideo connection cable.
2. Connect the Audio OUT L/R sockets of the S-VHS video recorder, Laser Disc player, video camera or TV to the Audio in L/R sockets **(c)** of the projector. For this, use the red and white audio connectors of the audio/video connection cable. Insert the white plug into the L socket and the red plug into the R socket.

In case your VCR, Laser Disc player, video camera or TV is equipped with a Scart connector (depending on region):

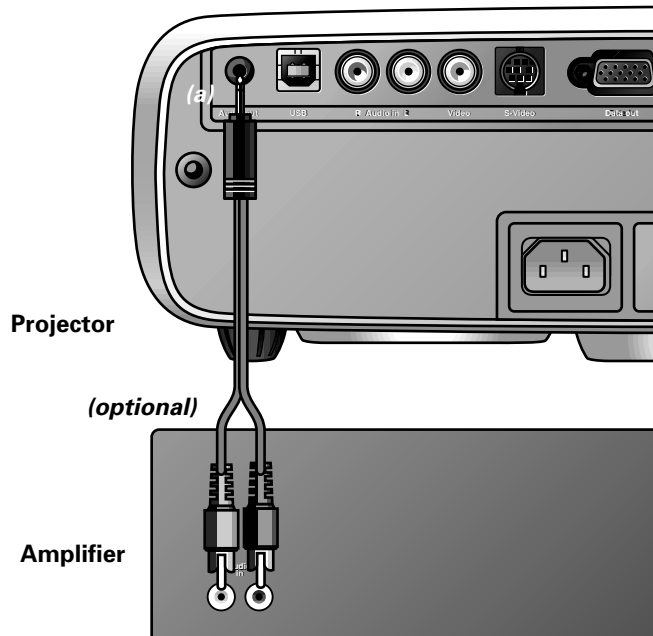
1. Connect the Scart/RCA Audio Video adapter **(3)** supplied to the Scart connector of the VCR, Laser Disc player, video camera or TV.
2. Plug the audio/video connection cable **(2)** supplied into both the adapter and the Audio in L/R sockets **(c)** of the projector. Insert the white plug into the L socket and the red plug into the R socket.
3. Plug an *(optional)* S-Video connection cable into the VCR and the S-Video socket **(e)** of the projector.

Connecting to audio equipment

Note: The characters in brackets **(a)** correspond to the characters in **fig. 4** of 'Controls and connections'.

Caution!

Always switch off the projector before making any connections. Always turn down the volume control of the connected amplifier before switching it on, to prevent damage to the speakers.



- Connect the Audio in L/R sockets of an amplifier or stereo system to the Audio out socket **(a)** of the projector. Insert the white plug into the L socket and the red plug into the R socket.

Note: When the projector is connected to an external audio amplifier, you cannot control the volume via the projector or the remote control. However, the sound can still be muted via the projector or the remote control.

7. Installation

Connecting to an external monitor

Connecting to an external monitor

Note: The characters in brackets **(a)** correspond to characters in **fig. 4** of 'Controls and connections'.

Caution!

Always switch off PC, external monitor and projector before making any connections.

1. Connect the Data out terminal of the computer to the Data in terminal **(g)** of the projector and secure the plugs by tightening the thumb screws.
For this, use the VGA/USB cable **(1)** supplied.
When connecting the projector to a Macintosh computer use the VGA/MAC adaptor *(optional)*.
2. Connect the Data out terminal **(f)** of the projector to the external monitor and secure the plugs by tightening the thumb screws.
For this, use an optional monitor cable.

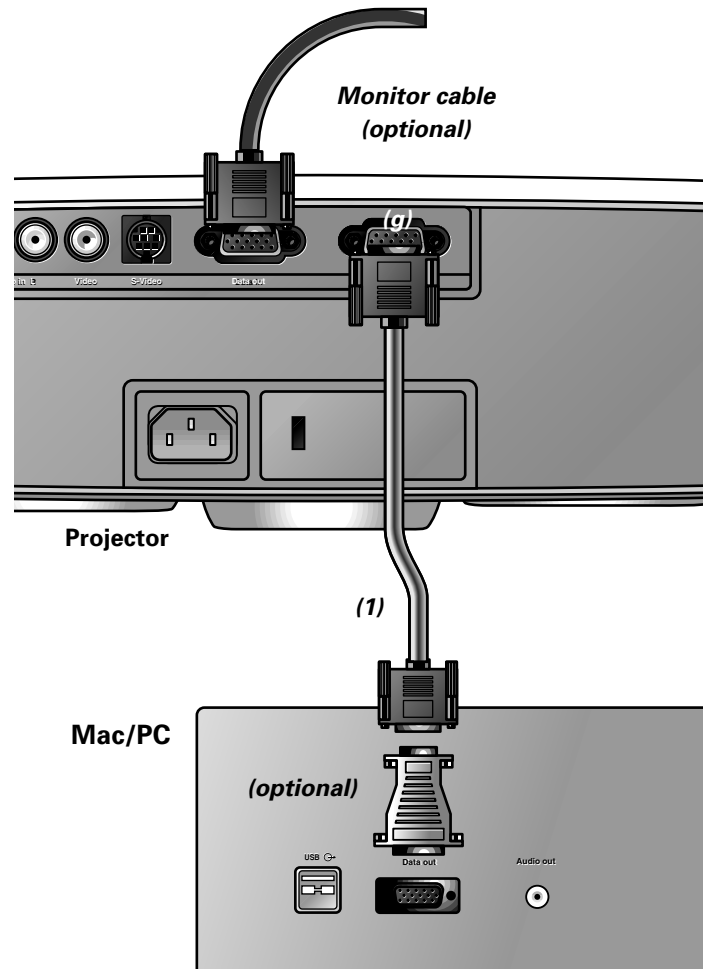
To obtain the audio signal on the monitor instead of on the projector:

- Connect the Audio in sockets of the monitor to the Audio out socket **(a)** of the projector.
- Insert the white plug into the L socket and the red plug into the R socket.

Some monitors have a single Audio in socket for which a different audio connection cable with a 3.5 mm mini jack is required.

Notes:

- One external monitor or projector can be connected at a time.
- For further details on the operation with On Screen Displays see chapter '8 Operation'.



Preparation

General

1. Press the Stand by On button to switch on the projector.

- The lamp indicator flashes green and the start up screen appears for several seconds.
- When the average lamp life time has almost expired and less than 100 hours remain, the message 'Warning: lamp life has almost expired' will be displayed on the screen when switching the projector on. For this refer to the section 'Lamp' under 'Maintenance'



- When the lamp is on, the lamp indicator lights up green.

2. If you use the **trackball remote control**:

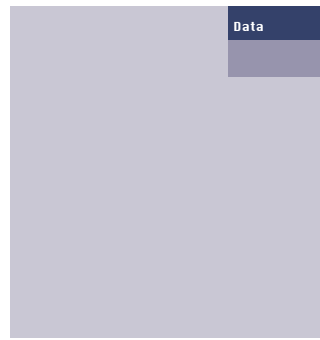
- Set the ON/OFF switch of the remote control to ON in order to switch on the remote control.
- If required, press the light button of the remote control. When this button is pressed, the button illumination is switched on for 5 seconds. Every time one of the buttons is pressed within these 5 seconds, the illumination time is extended by a further 5 seconds.

3. Select the required source (Data, Video or S-Video) by pressing the Source button.

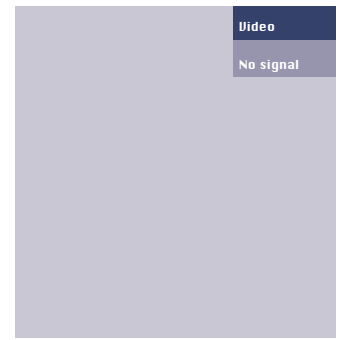
4. Switch on the computer or start video playback.

- A feedback message appears on the screen, indicating the selected source.

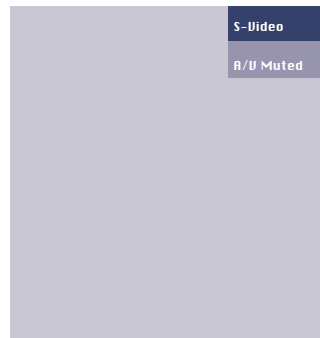
Some examples:



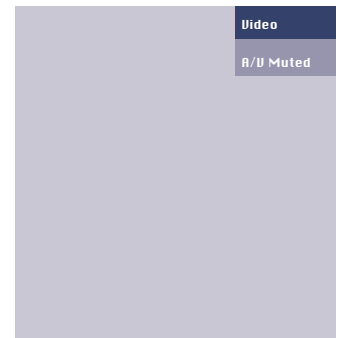
Data selected as source.



Video selected as source, no input signal.



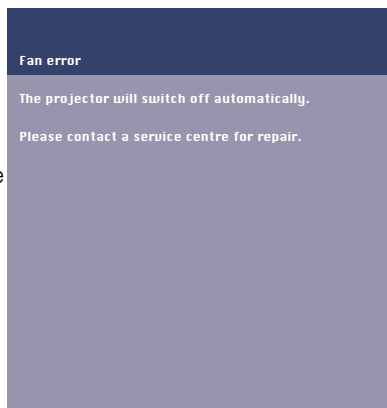
S-Video selected as source. A/V muted.



Video selected as source. A/V muted.

Messages - General explanation

Messages are displayed in the centre of the screen. The problem is described in the header of the message display. Suggestion(s) to solve the problem are displayed in the gray part of the message display. These messages cannot be suppressed.



Feedback messages

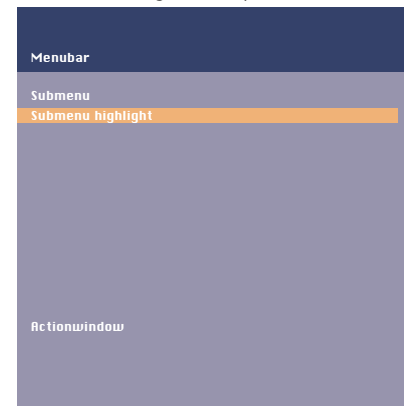
Feedback messages are displayed in the top right corner of the screen. They are displayed when:

- a signal comes up or goes down,
- when an input source is changed
- when Mute or A/V Mute is activated.
- when the Auto image function is set to On.

These messages will only be displayed when the menu option Feedback is set to 'On' in the Settings menu. All messages, will be removed automatically after 4 seconds.

On Screen Display menu - General explanation

All video and data adjustments and settings (except A/V Mute) are done via On Screen Displays and with help of Menu, OK (←/→) and Cursor Control on the projector or the remote control.

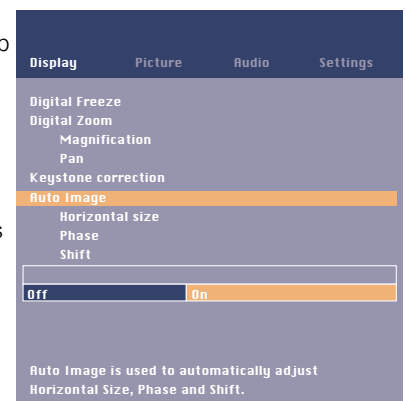


1. Press Menu.

- The menu bar appears on the screen. The first item is highlighted and its submenu is shown.

Depending on the selected source (Data, Video or S-Video) some options of the submenu may be greyed out. This indicates that these functions:

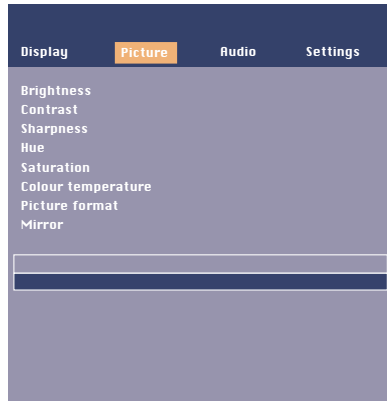
- are not available in a certain mode,
- have no function for the selected source.



For example:

- Horizontal size under submenu Display when Auto image is switched to ON.
- Hue under submenu Picture when signal type is not NTSC.

- Use Cursor Control left and/or right to move the cursor to any other item in the menu bar.



- Select the sub menu item to be adjusted using Cursor Control up and/or down.
- Adjust the selected item in the action window at the bottom of the screen, using Cursor Control left and/or right.
- Select the next item to be adjusted in the sub menu and adjust as described above.
- Press Menu to close the On Screen Display.



Language selection

The projector can display menus in one of six different languages.

- Press Menu.
 - The menu bar appears on the screen.
- Use Cursor Control to select Settings in the menu bar.
- Use Cursor Control to select Language from the sub menu.
- Use Cursor Control to select the required language in the action window.
- If required, select the next item to be adjusted or press Menu to exit.

Display and picture control

The projector's picture is set to standard specifications at the factory. However, you can adjust the image to suit your own preferences.

The projector will store the last used settings for every source. So when you switch from one source to another, the settings of the source switched from will be stored and the settings of the source switched to will be recalled.

When the projector is switched off and on again the settings for the selected source will be recalled again.

Data only

For data signal input, the following adjustments can be made:

- Auto image**
automatically sizes and positions the image to fit optimally in the screen picture;
- Horizontal size**
adjusts the computer image in a horizontal direction to make the image completely fill the screen;
- Shift**
adjusts the computer image in horizontal and vertical direction to centre it on the screen;
- Phase**
when connecting the projector to your PC for the first time, be sure to adjust the phase control for optimal readability of the projected text.

Tip for Windows users:

To adjust size and phase correctly:

- Select 'Start' and then 'Shut down'.
- Adjust the projector's size control, so that no vertical bars are visible.
- Now adjust the projector's phase control for maximum brightness of the projected image.
- Press 'No' in the Windows shutdown screen to cancel the shutdown action.

Data and Video/S-Video

For both data and Video/S-Video signal input, the following adjustments can be made:

- Digital Freeze**
captures a moving picture (still picture);
- Digital Zoom**
enlarges a part of the picture;
- Pan**
selects another section of enlarged picture (in combination with digital zoom);
- Keystone Correction**
corrects picture distortion of the vertical keystone type by internal scaling;
- Brightness**
adjusts brightness of the displayed picture;
- Contrast**
adjusts the overall contrast intensity;
- Sharpness**
controls the contour impression of the picture;
- Colour Temperature**
adjusts the overall picture impression from warm to cool;
- Mirror**
mirrors the picture for use of the projector in various positions with respect to the user(s) and the projection screen (for further explanation see 'Display and picture control' - 'Mirror').

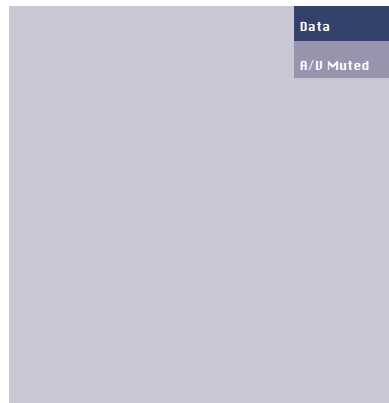
Video/S-Video only

For Video/S-Video signal input, the following adjustments can be made:

- Hue (only for NTSC)**
adjusts the tint of the projected image;
- Saturation**
adjusts the colour saturation of the projected image.
- Picture Format**
selects one of three picture format options (4:3, 16:9 or 16:9 enlarged);

Note: **A(audio)/V(video)-mute** can only be selected with the AV mute button on the projector or on the remote control. A/V mute then appears on the screen.

For example:

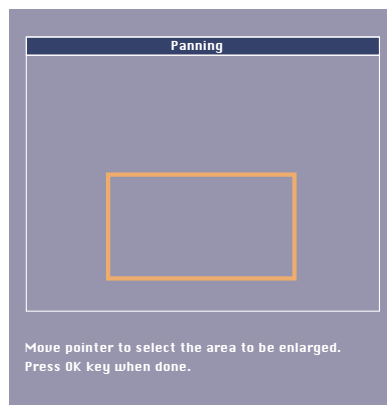


The following adjustments procedures follow a slightly different sequence of actions, or may need some further explanation.

Pan

To view an enlarged area of the projected picture the Pan function is used. Panning is only possible when the picture is enlarged with Digital Zoom. If the picture is not enlarged, the panning option is greyed out. When the Digital Zoom is active, the Cursor Control gives direct access to the Panning function.

1. Press D(igital) Zoom to activate the Digital Zoom function.
2. Press Menu.
 - The menu bar will appear. Display is highlighted and its sub menu is shown.
3. Select the required zoom factor under Magnification.
4. Use Cursor Control to move the cursor to Pan.
5. Press OK (←/→) to activate Pan.
6. Use Cursor Control to pan left, right, up or down.
7. Press MENU to exit.



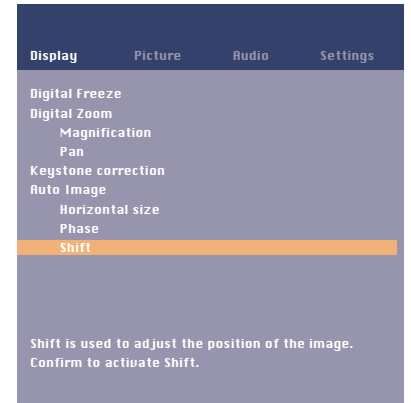
Horizontal size

The Horizontal size function is used to size a computer image to make it fit the projected picture. The horizontal size parameter has permanent scope. When the OSD menu is active and the horizontal size option is selected, the level will be indicated graphically on a linear scale (gauge). The default output level conforms to the value set by the Auto image function. Switching to another data mode automatically restores Auto image if the data mode is not part of the ten most recently used display modes.

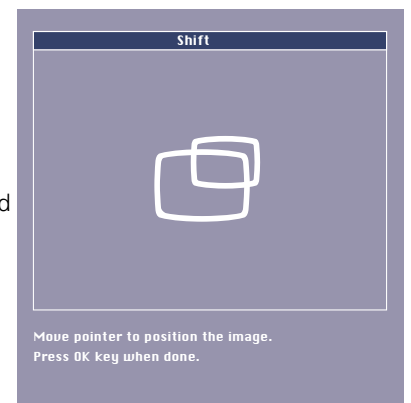
Shift

The Shift function adjusts the computer image in horizontal and vertical direction to center it on the screen. This function is only active when Auto image is set to OFF.

1. Press Menu.
 - The menu bar appears on the screen. Display is highlighted and its sub menu is shown.
2. Use Cursor Control to move the cursor to Shift.
3. Press OK (←/→) to activate Shift.



4. Use Cursor Control to position the computer image.
5. Press OK (←/→) to confirm and store the adjustment.
6. If required, select the next item to be adjusted or press MENU to exit.



Auto image

The auto image function automatically sizes and positions the image to fit optimally in the screen picture. In addition it takes care for phase adjustment. It does not affect the selected picture format. When Auto image is set to ON, the Horizontal size, Shift and Phase options are greyed out.

8. Operation

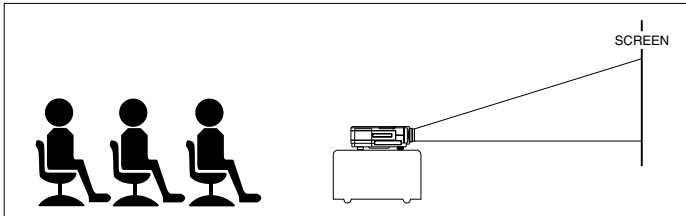
Display and picture control/Audio control

Mirror

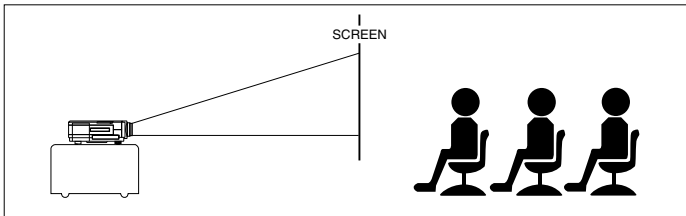
The projector can be used in various positions with respect to the viewers and the projection screen. With the Mirror function the picture can be displayed in a way that is suitable for a specific application.

Rear screen projection

The image can be flipped to a horizontal mirror image of the input signal for rear screen projection.



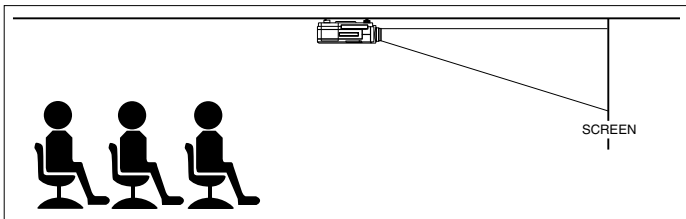
Front projection



Rear projection

Ceiling-mount projection

The projector is equipped with an upside-down scan function (vertical mirror), which allows the image to be flipped when the projector is mounted upside down to the ceiling.



Ceiling projection

1. Press Menu.
 - The menu bar appears on the screen.
2. Use Cursor Control to select Picture in the menu bar.
3. Use Cursor Control to select Mirror from the sub menu.
4. Use Cursor Control to select the correct setting for your application.
5. If required, select another item you wish to adjust or press Menu to exit.

Audio Control

The projector's sound is set to standard specifications at the factory. However, you can adjust the sound to suit your own preferences by using the Audio control feature.

The following adjustments can be made:

- **Volume** – adjusts the sound level;
- **Bass** – adjusts the bass tones;
- **Treble** – adjusts the high tones;
- **Mute** – mutes the sound of the projector (or an externally connected loudspeaker).

1. Select the required input (Data, Video or S-Video).
2. Press Menu.
 - The menu bar appears on the screen.
3. Use Cursor Control to select AUDIO in the menu bar.
4. Use Cursor Control to select the item to be adjusted.
5. Use Cursor Control to make the required adjustment in the action window.
6. If required, select the next item to be adjusted or press Menu to exit.

Notes:

- The volume can also be adjusted with the – Volume + buttons or on the remote control.
- When the projector is connected to an amplifier or stereo system, the volume must be adjusted on the amplifier or stereo system.

Caution!

Always reduce/check the volume setting of connected amplifiers before switching off (A/V) mute, to prevent damage to speakers.

Other Settings

The projector is equipped with the following functions to optimize its use and handling:

Start-up screen

This function allows you to display or suppress the default Philips start-up screen upon the projector's start up.

1. Press Menu.
 - The menu bar appears on the screen.
2. Use Cursor Control to move the cursor to Settings.
3. Select Start-up screen by using Cursor Control.
4. Select On to use the default setting or Off to suppress the start-up screen.
5. Press Menu to close the On Screen Display.

Feedback

This function allows you to suppress OSD messages. Warning or error messages however are never suppressed.

1. Press Menu.
 - The menu bar appears on the screen.
2. Use Cursor Control to move the cursor to Settings.
3. Select Feedback by using Cursor Control.
4. Select On to have OSD screens displayed or Off to suppress the display of OSD screens.
5. Press Menu to close the On Screen Display.

Key lock

Key lock is used to de-activate all remote and local controls. You have to switch the projector off and on again by pulling out the mains cable to unlock the keys.

1. Press Menu.
 - The menu bar appears on the screen.
2. Use Cursor Control to move the cursor to Settings.
3. Select Key lock by using Cursor Control.
4. Press OK (←/→) for 3 seconds to lock all keys.
5. The On Screen Display will disappear automatically.

Factory reset

This function is used to reset all user settings to the default factory settings.

1. Press Menu.
 - The menu bar appears on the screen.
2. Use Cursor Control to move the cursor to Settings.
3. Select Factory reset by using Cursor Control.
4. Press OK (←/→) for 3 seconds to reset all user settings.
5. Select the next item to be adjusted in the sub menu or press MENU to close the On Screen Display.

9. Maintenance

Cleaning

Caution!

Switch off and disconnect the projector before cleaning.

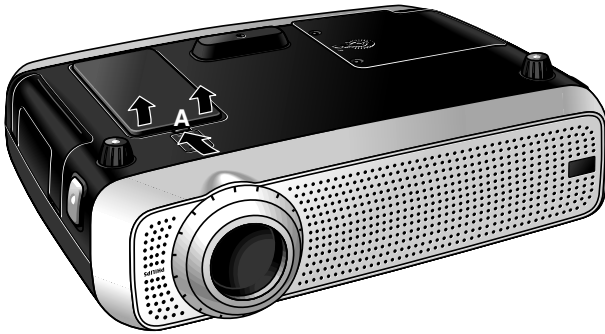
1. When the cabinet is dusty, clean it by gently wiping with a soft cloth.
2. A chamois leather slightly moistened with water is sufficient for cleaning the housing.
3. Do not use cleaning agents as they may harm the housing.

Always keep the lens clean

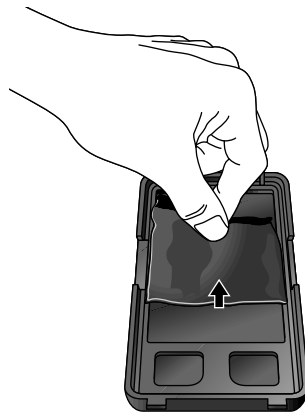
1. When the lens is dirty or dusty, first blow the dust off and then gently wipe with a soft brush or lens cleaning paper. Never touch the lens with your fingers.
2. The lens is likely to become mouldy if left dirty.

Cleaning the dust filter

1. Press the Stand by On button to switch off the projector.
 - The standby indicator lights up red.
2. Wait until the cooling fan has stopped (about 3 minutes) and disconnect the mains lead and all other cables.
3. Turn the projector over. *Never place the projector on the side where the connections are located!*
4. Press tab A and lift up the cover.

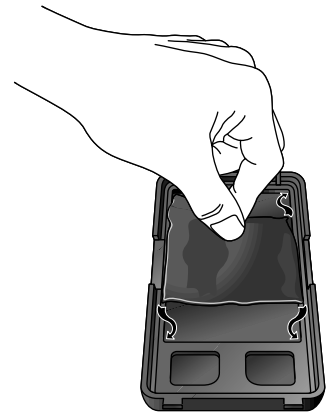


5. Turn the cover upside down. The filter is located on the cover underside.
6. Carefully remove the filter from the cover.

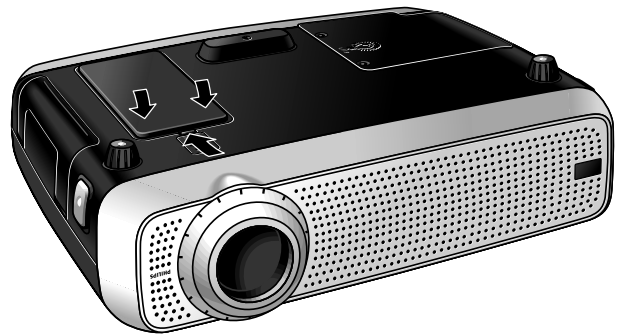


7. While firmly holding the filter, gently remove any accumulated dust with a vacuum cleaner.

8. Replace the filter. Firmly press the filter edges in place. Check if the filter is firmly tightened by turning the cover upside down.



9. Replace the cover.



Notes:

- We advise you to clean the filter every 100 hours.
- Operating the projector without filter or with a torn or damaged filter may seriously damage the projector.
- When the filter is damaged replace it with a filter of the same type (12 nc: 3122 434 01180).
- The projector power cannot be switched on again unless the filter holder is installed correctly.

Maintenance of the trackball remote control

Your trackball on the remote control is very durable and will provide years of use. It has a self-cleaning ball-cage that helps prevent dust and lint built-up around the ball. If the screen cursor jumps or moves abnormally, we recommend that you clean the trackball manually.

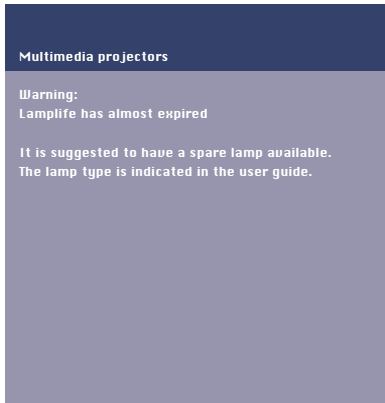
To clean your trackball

1. Turn the retainer ring counter-clockwise to remove the ball.
2. Wipe the ball with a clean, lint-free cloth.
3. Blow carefully into the ball cage to dislodge dust and lint.
4. Look for a built-up of dirt on the rubber rollers inside the ball cage. This build-up usually appears as a stripe running around the middle of the roller.
5. If dirty, clean the rollers using a cotton swab moistened lightly with isopropyl (rubbing) alcohol. After cleaning, make sure the rollers are still centered in their channels.
6. Make sure that fluff from the swab is not left on the rollers.
7. Replace the ball and retainer ring.

9. Maintenance

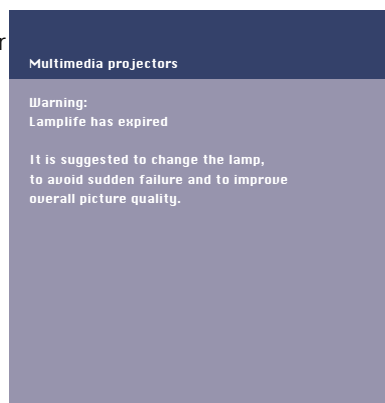
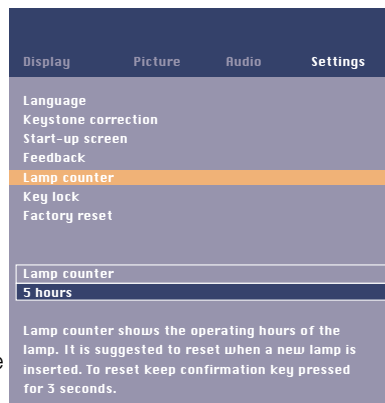
Lamp

When operation time reaches the last 100 hours of the average lamplife, the message 'Warning: lamplife has almost expired' will be displayed on the screen, each time the projector is switched on.



The lamplife remaining can be checked using the OSD menu.

1. Press the Menu.
 - The menu bar appears on the screen.
 2. Use Cursor Control to move the cursor to Settings.
 3. Use Cursor Control to select Lamp counter.
 - The remaining lamplife hours are displayed in the action window at the bottom of the screen.
- When the lamplife has expired, the lamp indicator lights up orange and the message 'Warning: lamplife has expired' is displayed on the screen.



Lamp Replacement

1. Press the Stand by On button to switch off the projector.
 - The standby indicator lights up red.
2. Wait 5 minutes for the lamp to cool down and the cooling fan to stop and disconnect the mains lead and all other cables.
3. Turn the projector over. *Never place the projector on the side where the connections are located!*
4. Unscrew the screws at the bottom of the cover and remove the cover.



5. Read the caution and warning labels on the lamp cover.
6. Unscrew the lamp holder.



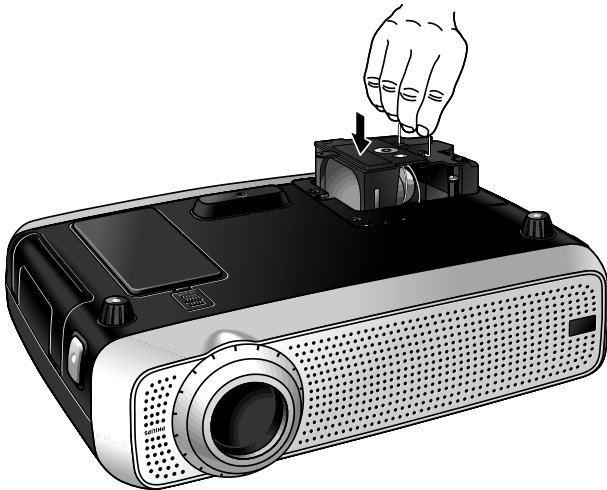
7. Grasp the lamp holder handle and carefully pull the lamp holder out of the projector.



9. Maintenance

Caution!

- For cooling purposes the lamp is open. When removing the lamp do not tilt. If the inner tube is broken glass particles may fall out.
 - Be very careful. The lamp and lampholder may still be too hot to touch.
 - Keep lamp holder opening to your right. Do not touch lamp or point lamp holder opening at anyone.
 - A high-pressure lamp may break if handled improperly.
8. Carefully remove the new lamp housing from its package. Do not touch lamp or point lamp housing opening at anyone. Do not drop, as the impact may cause the lamp to break.
 9. Place the lamp holder in the guiding slots and insert into the lamp compartment.



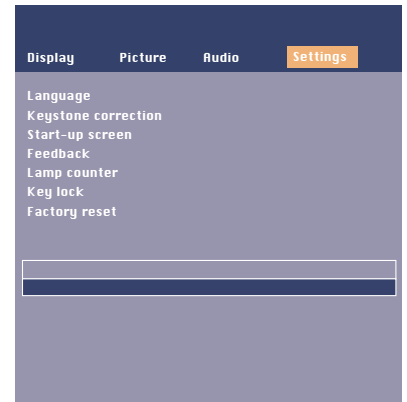
10. Tighten the screws.
11. Replace the cover and tighten the screws.
12. Plug the projector back in by inserting the mains lead in the Power socket.
13. Press the Stand by On button to switch on the projector.
14. Reset the lamp life time (see 'Resetting the lamplife time').
15. Properly dispose of the old lamp.

Notes:

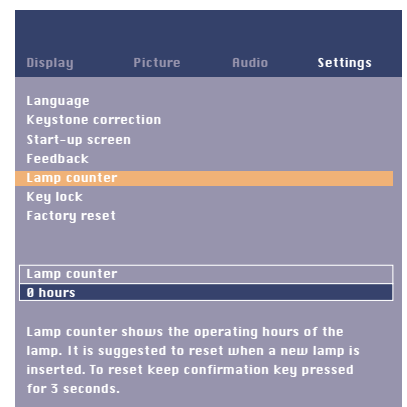
- When replacing the lamp, always use the same type of lamp LCA3111/00, 12NC 8670 931 11009).
- Please dispose of lamp in special chemical disposal bins.

Resetting the lamplife time

1. Press Menu.
- The menu bar appears on the screen.
2. Use cursor control to select Settings in the menu bar.



3. Use cursor control to select Lamp counter in the sub menu.



4. Press OK (–/– →) for 3 seconds to reset the lamp counter.
5. If required, select another item you wish to adjust or press Menu to exit.

10. Troubleshooting

If a fault occurs, first check the points listed below before taking the projector for repair. If you are unable to remedy a problem by following these hints, consult your dealer or service organisation.

Warning:

Under no circumstances should you try to repair the projector yourself as this could invalidate the warranty.

PROBLEM

- POSSIBLE CAUSE
- SOLUTION

Image is not displayed

- Mains lead is not correctly connected.
- Correctly connect mains lead.
- The filter holder is not installed correctly or is damaged.
- Install the filter holder correctly (see 'Cleaning the dust filter' under 'Maintenance').
- Lamp holder cover is not closed correctly or the lamp holder is damaged.
- Close the cover correctly (see 'Lamp replacement' under 'Maintenance').
- Signal cable not correctly connected.
- Connect signal cable correctly.
- The projector is in Off position.
- Press Stand by On to switch on the projector.

Lamp ceased to operate or does not light up at all (indicator fast flashes red)

- Lamp is still hot while the projector attempts to restart the lamp.
- Do not switch the set off; it will restart the lamp automatically within a few seconds.
- Lamp circuit failure or worn-out lamp.
- Take the projector to your nearest Service Centre, or
- Replace lamp (see 'Maintenance').

Lamp indicator lights up orange

- Lamp life has expired or almost expired (less than 100 hours to go).
- See warning messages on the start up screen for details.

Standby LED is red and flashing fast

- Too high ambient temperature
- The projector will go into Standby mode. Allow the projector to cool down; this may take up to 30 minutes. When the LED stops flashing press any key to activate the projector again.
- Blocked air inlets/dirty dust filter
- The projector will go into Standby mode. Clean air inlets or dust filter and allow the projector to cool down; this may take up to 30 minutes. When the LED stops flashing press any key to activate the projector again.

Poor colour

- Wrong video system has been selected.
- Select the correct video system (see the selection of the video system under 'Operation').
- Adjust brightness, contrast, saturation or hue (see 'Display and picture control' under 'Operation').

Image is blurred

- Image is not focused.
- Adjust focus ring.
- Distance between projector and screen is not correct.
- Adjust the distance between the projector and the screen.
- Signal cable is not correctly connected.
- Connect signal cable correctly.

Image does not match up with the projected screen

- Shift and/or Horizontal size are not adjusted correctly.
- Adjust Shift or Horizontal size (See 'Display and Picture control', sections 'Data only' and 'Data and Video/S-Video').
- Activate the auto-image function via the On Screen menu.

Picture rolls

- Signal cable is not correctly connected.
- Connect signal cable correctly.

No sound

- Audio cable is not correctly connected.
- Connect audio cable correctly.
- Volume is not adjusted.
- Adjust volume.
- A/V-mute is active.
- Cancel A/V-mute.

Caution!

Always reduce/check the volume setting of connected amplifiers before switching off A/V mute, to prevent damage to speakers.

The projector does not react to commands from the remote control

- Distance is too great.
- Reduce distance.
- Batteries are exhausted.
- Replace batteries (see 'Inserting the batteries in the remote control').
- IR sensor is obstructed.
- Remove obstacle.
- Remote control is not switched on (only trackball remote control).
- Switch on the remote control.